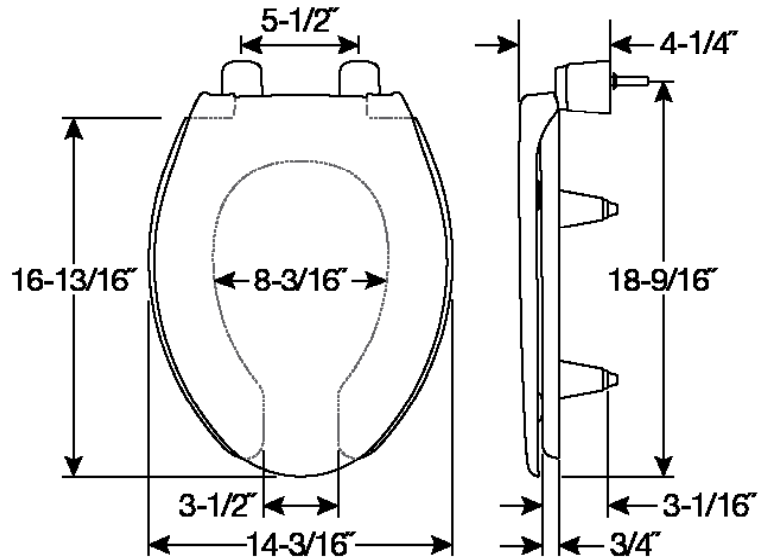




STEADFAST™ E82350TC

MEDIC-AID® HEAVY-DUTY
PLASTIC TOILET SEAT



FEATURES:

- **STAY-TITE® Commercial Fastening System™**
Eliminates callbacks for loosened seats
- **DuraGuard® Antimicrobial ***
Built-In Seat Protection™
- **Elevated Hinges / Bumpers**
Provides 3" of height
- **Super Grip Bumpers™**
Provides greater stability

SPECIFICATIONS:

- Size:** Elongated
- Material:** Plastic
- Style:** Open Front with Cover
- Ring Bumpers:** Four
- Hinges:** Plastic with Non-Corroding 300 Series Stainless Steel Posts and Pintles
- Hardware:** STAY-TITE® Commercial Fastening System™

Codes & Standards:



Complies with
IAPMO/ANSI Z124.5
Performance Standards
Heavy-Duty Commercial

** DuraGuard Antimicrobial does not protect users against bacteria, viruses, or other disease organisms. Always clean and wash this product thoroughly before and after each use.*



Proudly Made in the USA

Eco-Friendly

