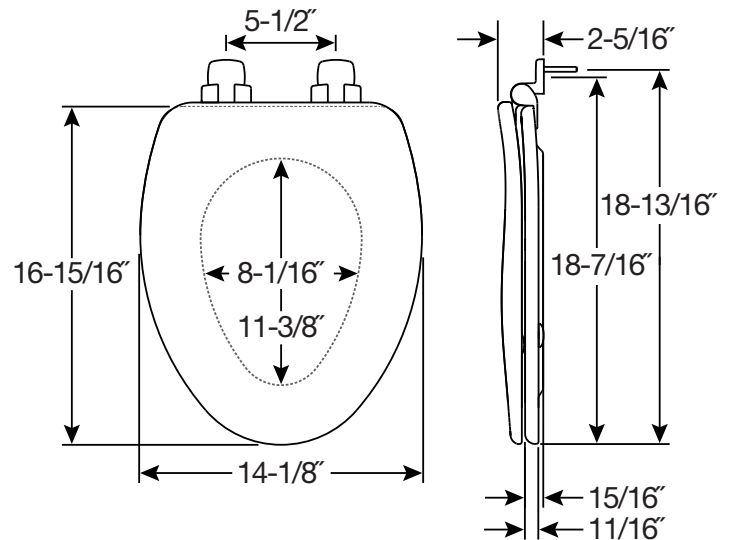




ALESIO™ 19170CSLA / NSLA

RESIDENTIAL HIGH DENSITY™
ENAMELED WOOD TOILET SEAT



FEATURES:

- **Stylish Hinge Options**
Chrome (CSLA) or brushed nickel (NSLA) hinges
- **STA-TITE® Seat Fastening System™**
Never Loosens™
- **Whisper•Close®**
Slowly and quietly closes
- **Precision Seat Fit™**
1/2" front-to-back adjustability provides the perfect bowl fit
- **Super Grip Bumpers™**
Provides greater stability
- **Highly-Stylized Design**
Superior high-gloss finish resists chipping and scratching

SPECIFICATIONS:

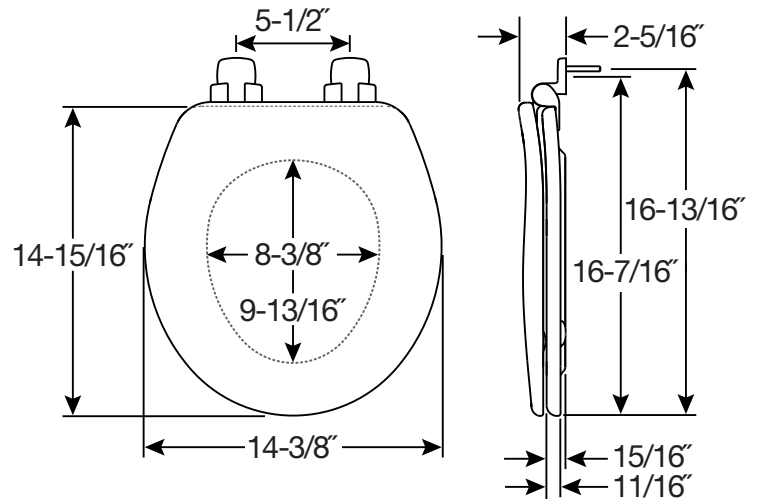
- Size:** Elongated
- Material:** High Density™ Enameled Wood
- Style:** Closed Front with Cover
- Ring Bumpers:** Two
- Hinges:** Chrome or Brushed Nickel
- Hardware:** STA-TITE® Seat Fastening System™





ALESIO™ 9170CSLA / NSLA

RESIDENTIAL HIGH DENSITY™
ENAMELED WOOD TOILET SEAT



FEATURES:

- **Stylish Hinge Options**
Chrome (CSLA) or brushed nickel (NSLA) hinges
- **STA-TITE® Seat Fastening System™**
Never Loosens™
- **Whisper•Close®**
Slowly and quietly closes
- **Precision Seat Fit™**
1/2" front-to-back adjustability provides the perfect bowl fit
- **Super Grip Bumpers™**
Provides greater stability
- **Highly-Stylized Design**
Superior high-gloss finish resists chipping and scratching

SPECIFICATIONS:

- Size:** Round
- Material:** High Density™ Enameled Wood
- Style:** Closed Front with Cover
- Ring Bumpers:** Two
- Hinges:** Chrome or Brushed Nickel
- Hardware:** STA-TITE® Seat Fastening System™

